

MD2SR Factory Sealed Interlocked Switched Receptacles

Dead Front Interlocked Construction; No External Seals Required.

NEC:

Class I, Division 2, Groups B, C, D
Class II, Division 1 and 2, Groups F, G
Class III
Class I, Zone 2, Group IIC T3
NEMA 3*, 3R*, 4*, 4X*, 9FG, 12

Applications

- Locations where receptacles are used with stationary or portable electrically operated devices such as:
 - Lighting systems
 - Conveyors
 - Heaters
 - Motor generator sets
 - Air conditioners
 - Compressors
 - Pumps

Features

- Factory sealed; no external seals required.
- Available in fused and unfused versions.
- UL Listed for use with Appleton ACP plugs.
- UL Classified for use with competitors like plugs.
- Positive polarization; only plugs of the same style, number of poles, and Amperage rating may be used with these receptacles.
- Plug must be inserted into the receptacle before the switch can be turned on. Plug cannot be withdrawn unless the switch is in the off position.
- Cover bolts are stainless steel and captive.
- Insulated, dual-color polymer operating handle clearly indicates the switch being energized. Ergonomically designed handle is made of high-impact polymer material for exceptional ruggedness, durability and corrosion resistance.
- Style 2 (shell and extra pole) grounding.
- Removable hinged cover allows for ease of installation and maintenance.
- Short circuit withstand rated to 200,000 RMS symmetrical amperes (Class J fusing).
- Short circuit withstand rated to 10,000 RMS symmetrical amperes (unfused).
- Conduit entry is drilled and tapped to 1-1/2". Reducer bushings 1-1/2"-1-1/4" and 1-1/2"-1" provided at no additional cost.
- Stainless steel key-hole mounting feet for easy installation.
- Accommodates #8 – #4/0 AWG copper wire.
- Unit is equipped with defeatable door interlock which allows emergency access when switch is energized.
- Cover can be padlocked closed.
- Operating handle can be locked in the "OFF" position with provision to lock in the "ON" position.

Standard Materials

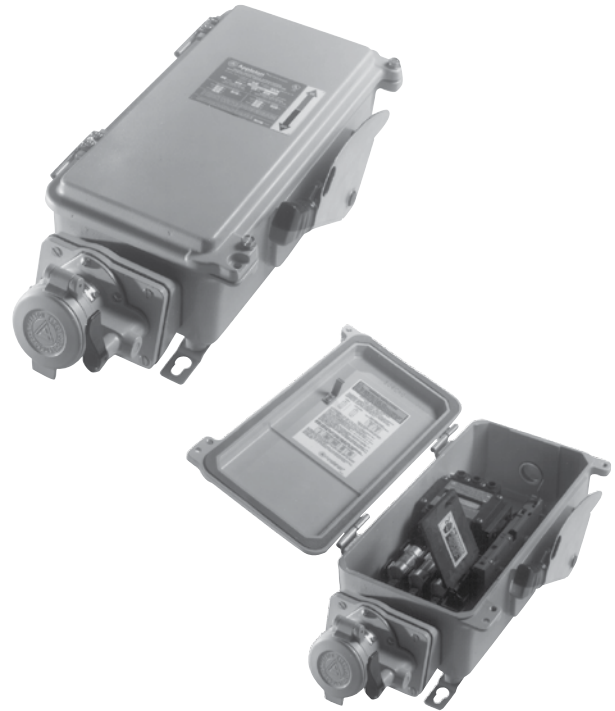
- Enclosure: copperfree (4/10 of 1% max.) aluminum
- Operating handle: high impact polymer
- Hardware: stainless steel

Standard Finish

- Enclosure: epoxy powder coating inside and outside

Options

- One normally opened, one normally closed auxiliary switch, add suffix **-AUX**.
- Two normally opened, two normally closed auxiliary switch, add suffix **-2AUX**.



- Special Polarization: Prevents plug insertion in a receptacle or connector wired for a different voltage. In installations where there are different line voltages, the special polarization option is desirable. This allows only plugs and receptacles wired for the same line voltage to be mated together. The receptacle or connector interior is positioned 22-1/2°, relative to the polarization rivet, to the right (as specified) of standard, and plug is polarized to correspond. Add Suffix **-P4** to receptacle.
- Reverse Service is useful where a "hot" plug feeds a dead receptacle. Reverse service is often used for generator applications where the receptacle houses a dead plug interior. Plug houses an energized receptacle interior, which has recessed male contacts to reduce danger of accidental touching. 30 and 60 Amp units can be easily converted to reverse service in the field when matching plug and receptacle are ordered. Add suffix **-RS** to receptacle or connector.

NEC Certifications and Compliances

- UL Standard: UL 894, UL 1203, UL 1604, UL 1682, UL 1686
- UL Listed: E10784

• Flip cover suitable for NEMA 3, 3R only.

▼ NEMA 4 rating maintained with Appleton NEMA 4 plug installed. Install screw cover for 4, 4X. Both covers are included with product.

APPLETON™

PLUGS AND RECEPTACLES: NEC/CEC HAZARDOUS LOCATION

MD2SR Factory Sealed Interlocked Switched Receptacles

Dead Front Interlocked Construction; No External Seals Required.

NEC:

Class I, Division 2, Groups B, C, D
 Class II, Division 1 and 2, Groups F, G
 Class III
 Class I, Zone 2, Group IIC T3
 NEMA 3*, 3R*, 4†, 4X†, 9FG, 12

Amp	Wires/Poles	Max HP	Fusing *	Catalog Number ①†	Mating Plug
30	2W, 3P	3 HP @ 240 Vac	Non-Fused	MD2SR3023U	ACP3023BC
			Fused	MD2SR3023F	
	3W, 4P	20 HP @ 600 Vac 30 HP @ 600 Vac	Non-Fused	MD2SR3034U	ACP3034BC
			Fused	MD2SR3034F	
60	2W, 3P	7.5 HP @ 240 Vac 10 HP @ 240 Vac	Non-Fused	MD2SR6023U	ACP6023BC
			Fused	MD2SR6023F	
	3W, 4P	50 HP @ 600 Vac	Non-Fused	MD2SR6034U	ACP6034BC
			Fused	MD2SR6034F	
100	2W, 3P	10 HP @ 240 Vac	Non-Fused	MD2SR1023U	ACP1023CD
			Fused	MD2SR1023F	
	3W, 4P	50 HP @ 600 Vac	Non-Fused	MD2SR1034U	ACP1034CD
			Fused	MD2SR1034F	

ACP Plugs for MD2SR Receptacles

Cable Dia. (Inches)	30 Amp		60 Amp		100 Amp	
	2W, 3P	3W, 4P	2W, 3P	3W, 4P	2W, 3P	3W, 4P
.390 to 1.375	ACP3023BC	ACP3034BC	ACP6023BC	ACP6034BC	—	—
.875 to 1.906	—	—	—	—	ACP1023CD	ACP1034CD



CPH Plugs for MD2SR Receptacles

Cable Dia. (Inches)	30 Amp		60 Amp ②		100 Amp	
	2W, 3P	3W, 4P	2W, 3P	3W, 4P	2W, 3P	3W, 4P
.390 to 1.375	CPH3023BC	CPH3034BC	CPH6023BC	CPH6034BC	—	—



APPLETON™

PLUGS AND RECEPTACLES: NEC/CEC HAZARDOUS LOCATION

• Flip cover suitable for NEMA 3, 3R only.
 ▼ NEMA 4 rating maintained with Appleton NEMA 4 plug installed. Install screw cover for 4, 4X. Both covers are included with product.
 * Fused units contain fuse holders; fuses not included.
 ① For auxiliary switch: one normally opened, one normally closed, add suffix **-AUX**.
 ② 60 Amp CPH plugs with **-BC** suffix are NOT UL listed.
 † For special polarization add **-P4**.

MD2SR Factory Sealed Interlocked Switched Receptacle

Dead Front Interlocked Construction; No External Seals Required.

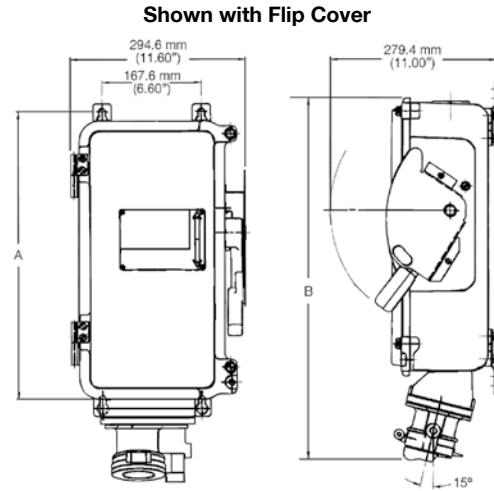
NEC:

Class I, Division 2, Groups B, C, D
 Class II, Division 1 and 2, Groups F, G
 Class III
 Class I, Zone 2, Group IIC T3
 NEMA 3*, 3R*, 4*, 4X*, 9FG, 12

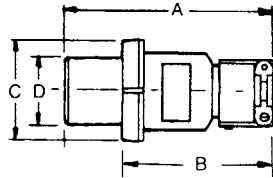
Dimensions in Millimeters (Inches)

MD2SR

Catalog No.	Dimensions in Millimeters (Inches)	
	A	B
MD2SR3023U	488.9 (19.25)	617.9 (24.33)
MD2SR3023F	488.9 (19.25)	617.9 (24.33)
MD2SR3034U	488.9 (19.25)	617.9 (24.33)
MD2SR3034F	488.9 (19.25)	617.9 (24.33)
MD2SR6023U	488.9 (19.25)	617.9 (24.33)
MD2SR6023F	488.9 (19.25)	617.9 (24.33)
MD2SR6034U	488.9 (19.25)	617.9 (24.33)
MD2SR6034F	488.9 (19.25)	617.9 (24.33)
MD2SR1023U	488.9 (19.25)	617.9 (24.33)
MD2SR1023F	581.1 (22.88)	710.1 (27.96)
MD2SR1034U	488.9 (19.25)	617.9 (24.33)
MD2SR1034F	581.1 (22.88)	710.1 (27.96)

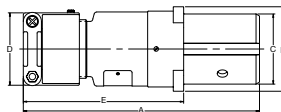


ACP Plugs



Max. Amp	No. Poles	Dimensions in Millimeters (Inches)			
		A	B	C	D
30	2,3,4	152.4 (6.00)	120.6 (4.75)	79.5 (3.13)	47.2 (1.86)
60	2,3	198.3 (7.81)	125.4 (4.94)	88.9 (3.50)	56.6 (2.23)
60	4	198.3 (7.81)	125.4 (4.94)	96.7 (3.81)	64.7 (2.55)
100	2,3	267.7 (10.50)	168.4 (6.63)	101.6 (4.00)	62.7 (2.47)
100	4	266.7 (10.50)	168.4 (6.63)	107.9 (4.25)	69.0 (2.72)

CPH Plugs



Max. Amp	Wire/Pole	Dimensions in Millimeters (Inches)				
		A	B	C	D	E
30	2W, 3P; 3W, 4P	155.7 (6.13)	60.4 (2.38)	47.2 (1.86)	6.68 (2.63)	112.7 (4.44)
60	2W, 3P	214.3 (8.44)	77.7 (3.06)	77.7 (3.06)	6.68 (2.63)	144.5 (5.69)
60	3W, 4P	214.3 (8.44)	77.7 (3.06)	64.7 (2.55)	6.68 (2.63)	144.5 (5.69)

• Flip cover suitable for NEMA 3, 3R only.

▼ NEMA 4 rating maintained with Appleton NEMA 4 plug installed. Install screw cover for 4, 4X. Both covers are included with product.

APPLETON™

PLUGS AND RECEPTACLES: NEC/CEC HAZARDOUS LOCATION